



Reverse Polarity SMA Male to Reverse Polarity TNC Male Adapter

TECHNICAL DATA SHEET

PE9605

Reverse Polarity SMA Male to Reverse Polarity TNC Male Adapter

Configuration

Connector 1	SMA Male Reverse Polarity
Impedance 1	50 Ohms
Connector Specification 1	MIL-C-39012
Connector 2	TNC Male Reverse Polarity
Impedance 2	50 Ohms
Connector Specification 2	MIL-C-39012
Adapter Design	Standard
Body Style	Straight

Mechanical Specifications

Temperature

Operating Range, deg C	-65 to +165
------------------------	-------------

Size

Length, in [mm]	1.08 [27.43]
Width/Dia., in [mm]	0.59 [14.99]

Connector 1

Type	SMA Male Reverse Polarity
Inner Conductor Material and Plating	Gold
Inner Conductor Plating Specification	MIL-G-45204
Coupling Nut Material and Plating	Brass, Nickel
Hex Size, in.	5/16
Torque, in-lbs [Nm]	5 [0.57]
Body Material and Plating	Brass, Nickel
Dielectric Type	Teflon

Connector 2

Type	TNC Male Reverse Polarity
Inner Conductor Material and Plating	Gold
Inner Conductor Plating Specification	MIL-G-45204
Coupling Nut Material and Plating	Brass, Nickel
Body Material and Plating	Brass, Nickel
Dielectric Type	Teflon

Compliance Certifications (visit www.Pasternack.com for current document)

RoHS Compliant	Yes
----------------	-----

Click the following link (or enter part number in "SEARCH" on website) to obtain additional part information including price, inventory and certifications: [Reverse Polarity SMA Male to Reverse Polarity TNC Male Adapter PE9605](#)

The information contained in this document is accurate to the best of our knowledge and representative of the part described herein. It may be necessary to make modifications to the part and/or the documentation of the part, in order to implement improvements. Pasternack reserves the right to make such changes as required. Unless otherwise stated, all specifications are nominal.





Reverse Polarity SMA Male to Reverse Polarity TNC Male Adapter

TECHNICAL DATA SHEET

PE9605

Plotted and Other Data

Notes:

Values at 25 °C, sea level

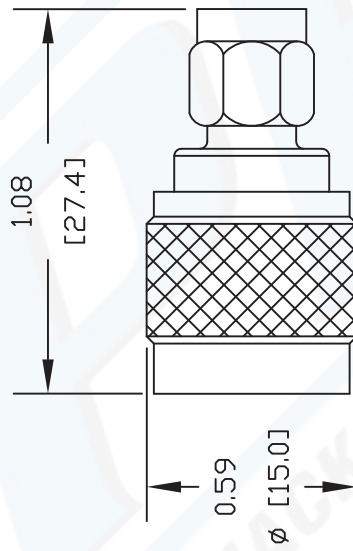
URL: <http://www.pasternack.com/sma-male-tnc-male-straight-adapter-pe9605-p.aspx>

Reverse Polarity SMA Male to Reverse Polarity TNC Male Adapter from Pasternack Enterprises has same day shipment for domestic and International orders. Our RF, microwave and fiber optic products maintain a 99% availability and are part of the broadest selection in the industry.

The information contained in this document is accurate to the best of our knowledge and representative of the part described herein. It may be necessary to make modifications to the part and/or the documentation of the part, in order to implement improvements. Pasternack reserves the right to make such changes as required. Unless otherwise stated, all specifications are nominal.

PE9605 CAD Drawing

Reverse Polarity SMA Male to Reverse Polarity TNC Male Adapter



NOTES:
1. UNLESS OTHERWISE SPECIFIED ALL DIMENSIONS ARE NOMINAL.
2. ALL SPECIFICATIONS ARE SUBJECT TO CHANGE WITHOUT NOTICE AT ANY TIME.
3. DIMENSIONS ARE IN INCHES [mm].

DWG TITLE

PE9605

REV. -

FSCM NO. 53919

CAD FILE 100302

SCALE N/A

SIZE A

127

PASTERNAK ENTERPRISES, INC.

PO BOX 16759, IRVINE, CA 92623
PHONE (949) 261-1920 FAX (949) 261-7451

WEB ADDRESS: www.pasternack.com
E-MAIL ADDRESS: sales@pasternack.com

COAXIAL & FIBER OPTICS

